



**SPARE PARTS CATALOGUE
ERSATZTEILKATALOG
CATALOGUE PIECES DETACHEES
CATALOGO PARTI RICAMBIO
CATALOGO DE PIEZAS DE RECAMBIO
CATALOGO PECAS, DE REPOSICAO**

Catalogo parti di ricambio valido
dalla matricola 4334285 ad oggi (17/11/2021)

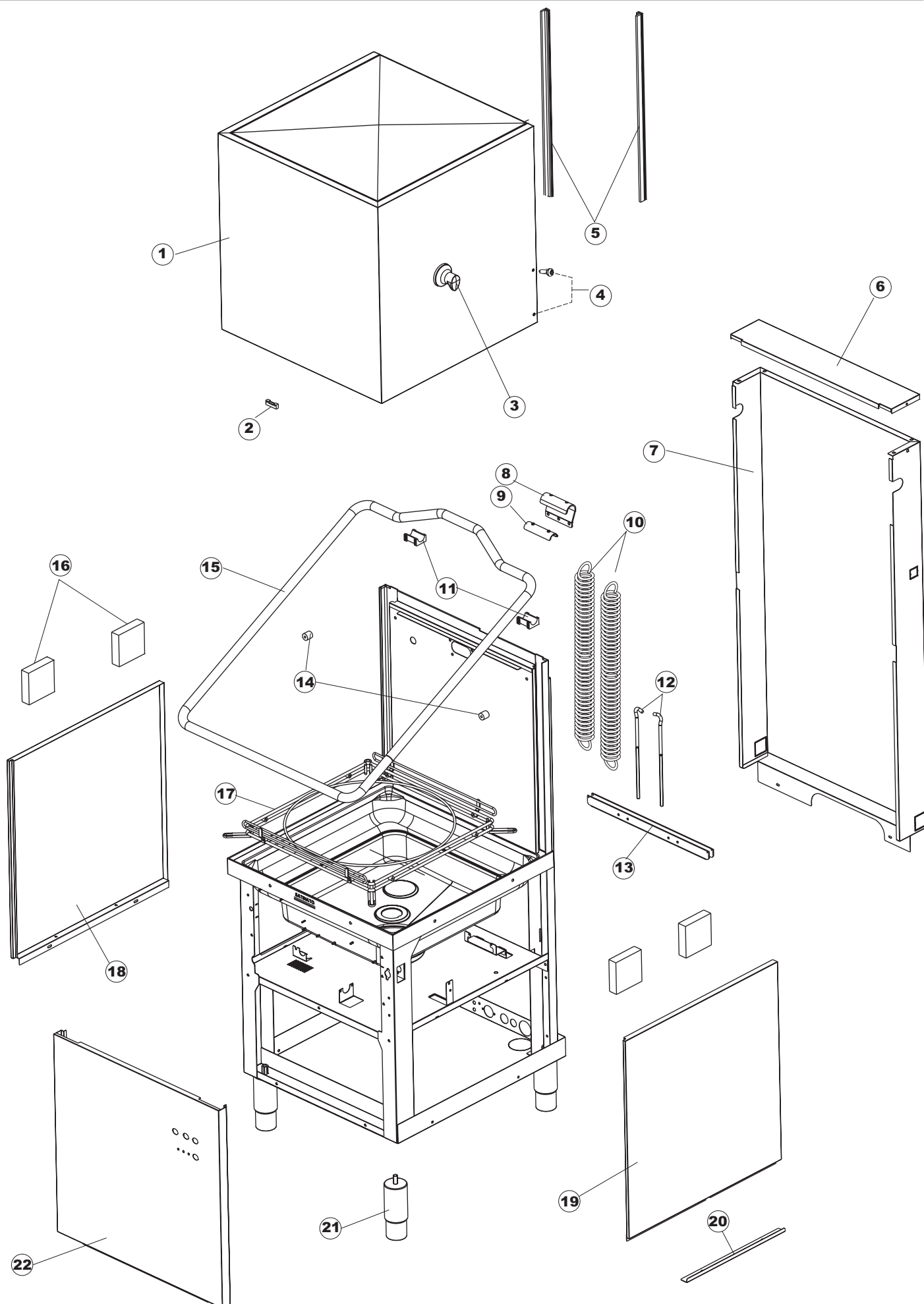
Catalogue pieces detachees
du numero de Série n. 4334285 jusqu'à aujourd'hui (17/11/2021)

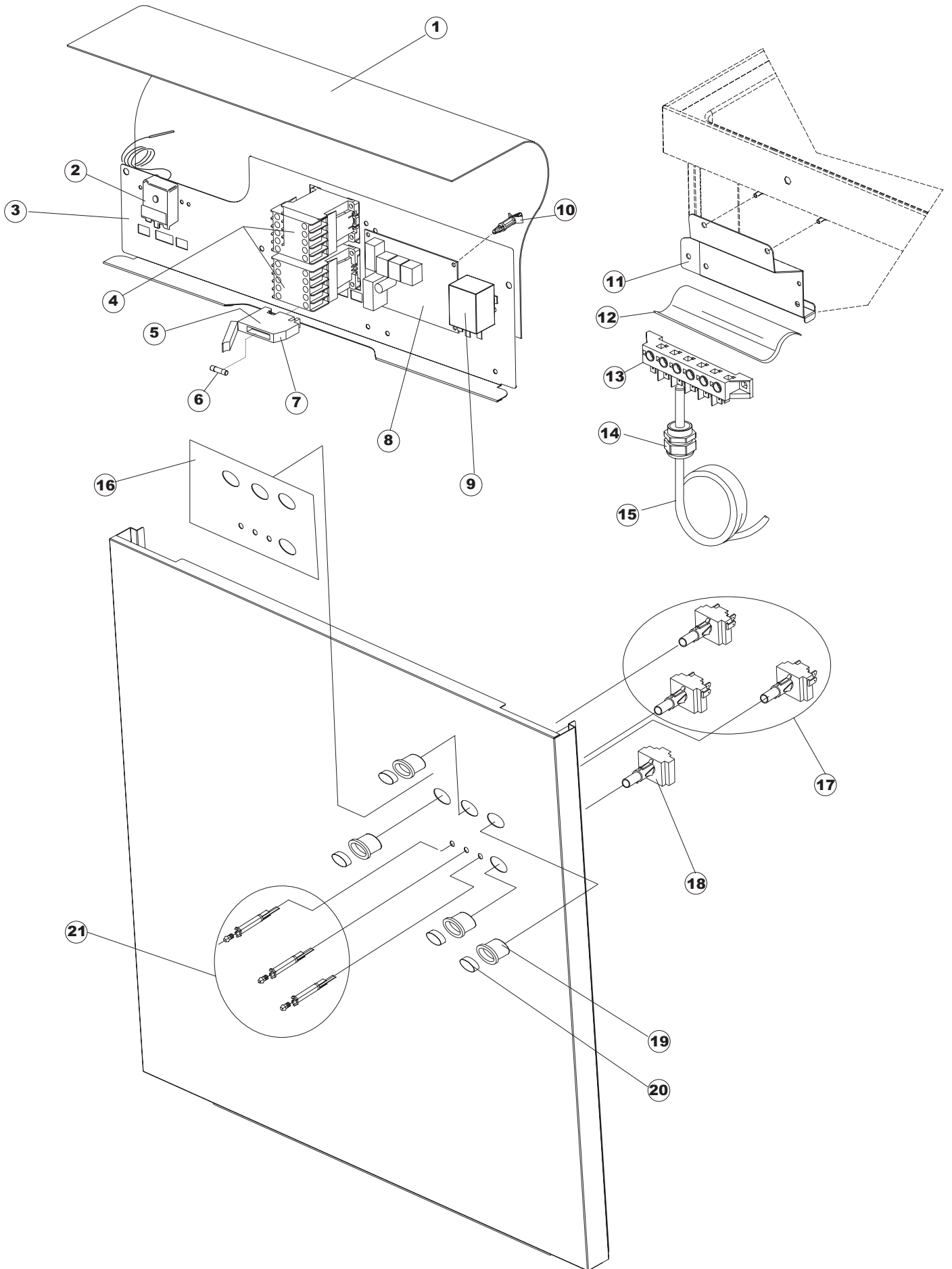
Ersatzteilkatalog
gültig ab Serien-Nr. 4334285 bis heute (17/11/2021)

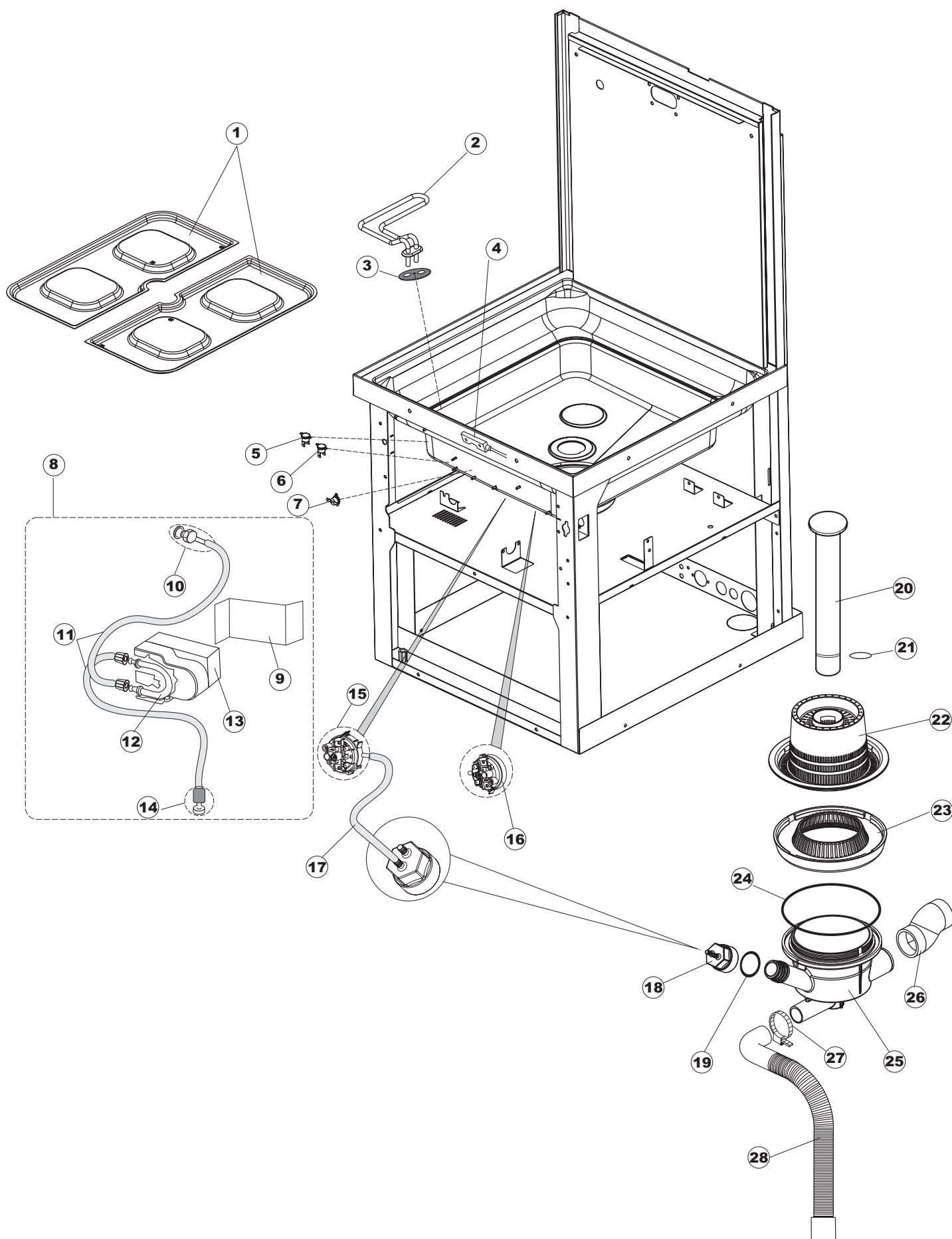
Spare parts catalogue
valid from serial no. 4334285 up today (17/11/2021)

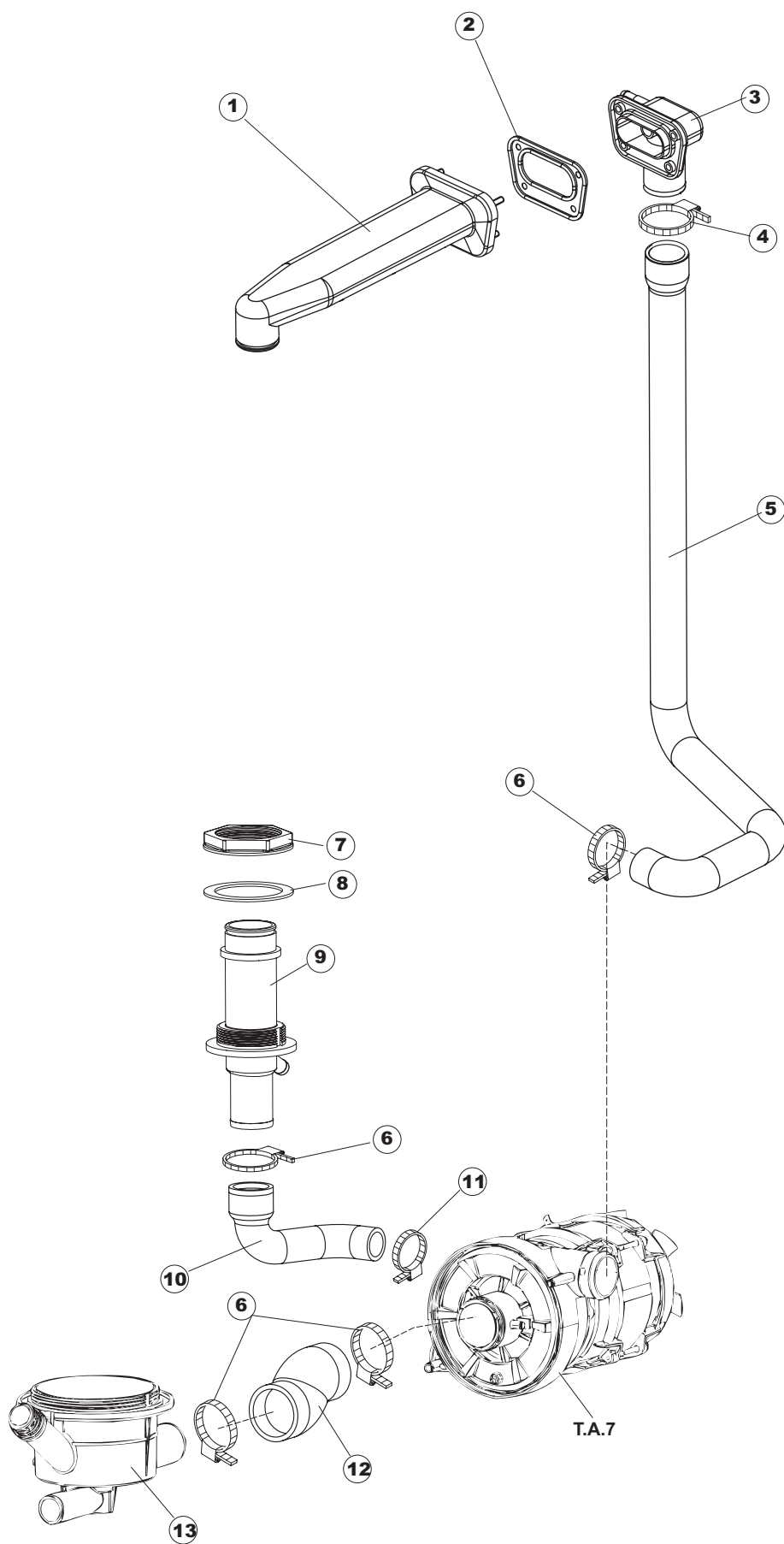
Catálogo de peças de reposição
válido do número de série 4334285 até hoje (17/11/2021)

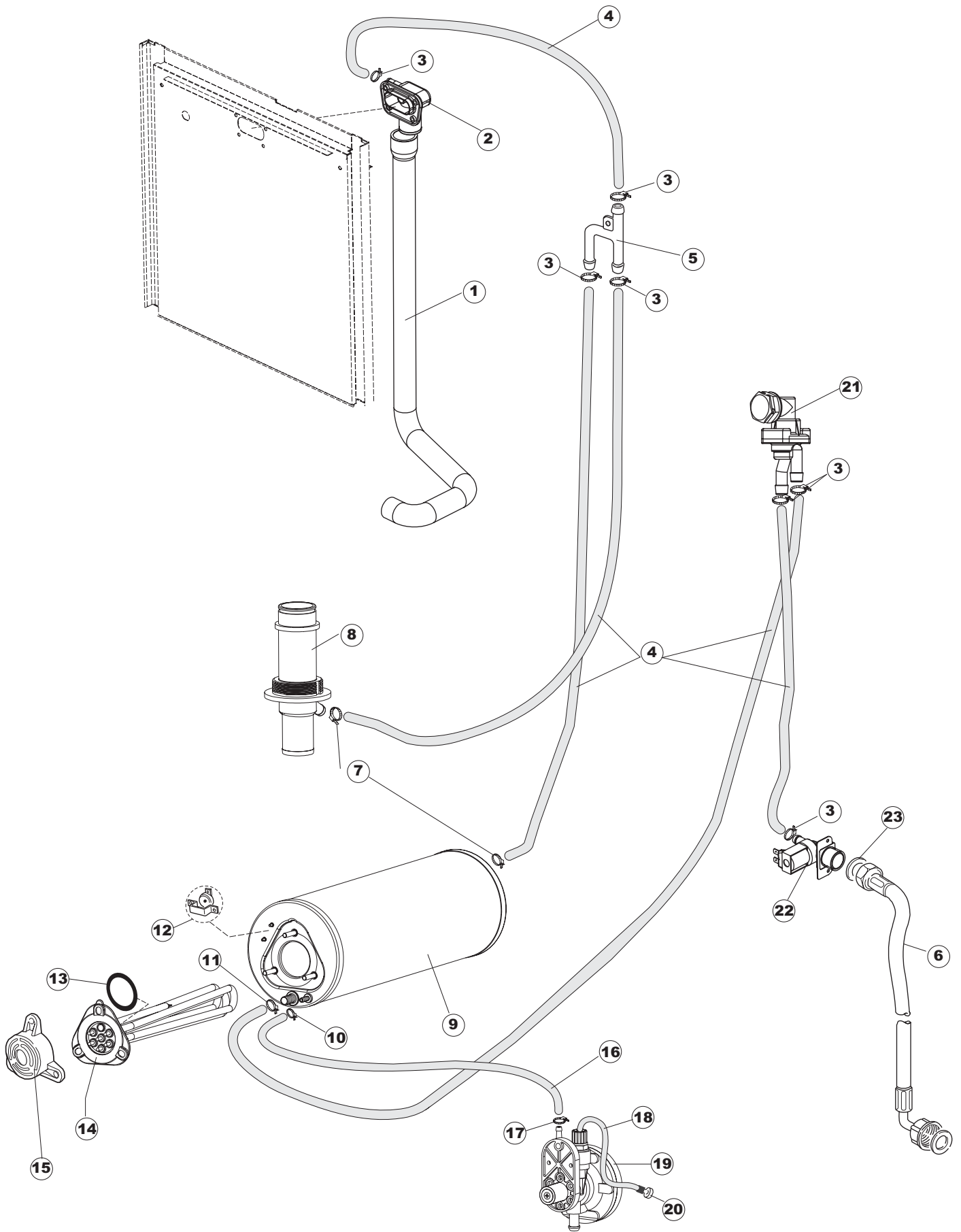
CP4254

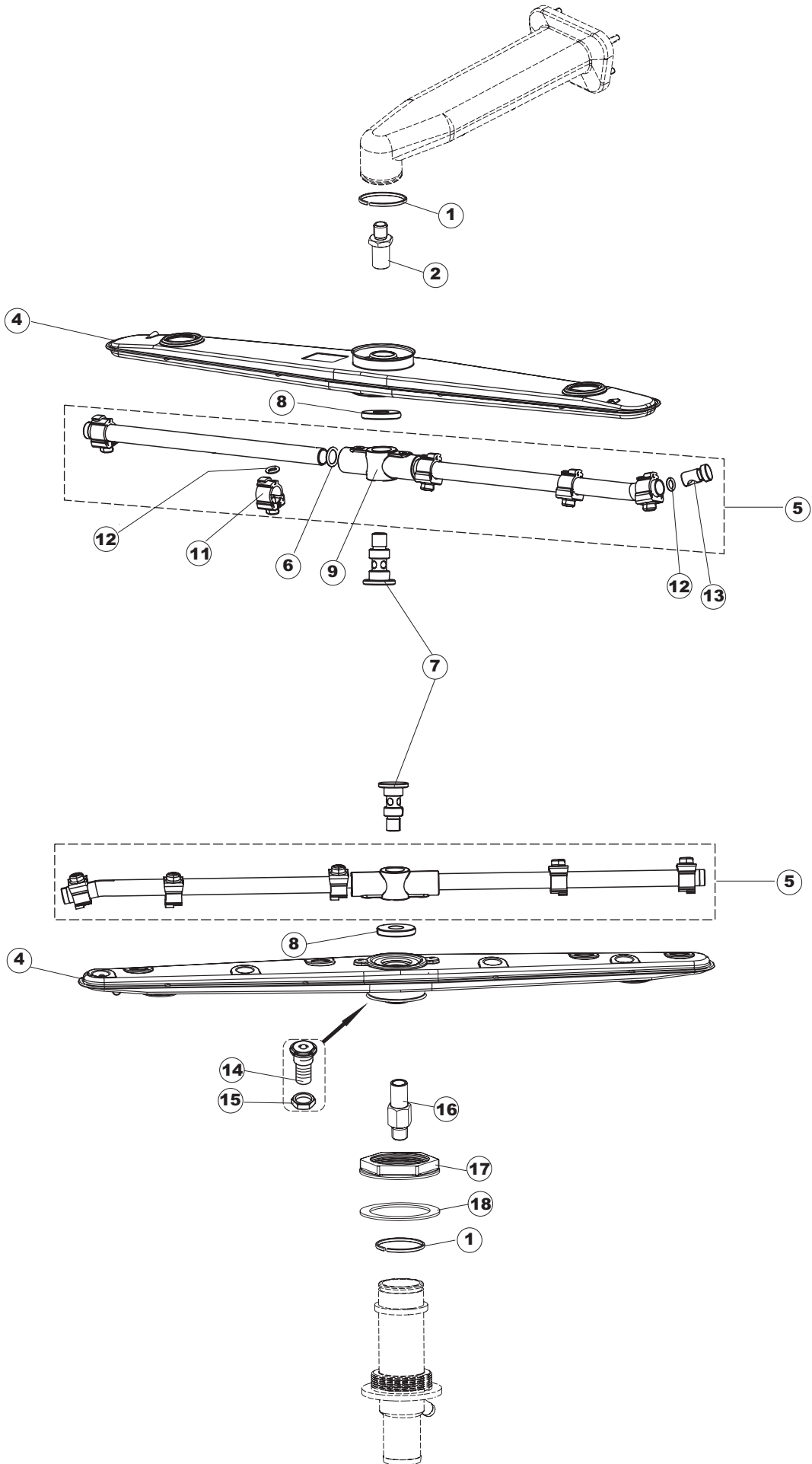


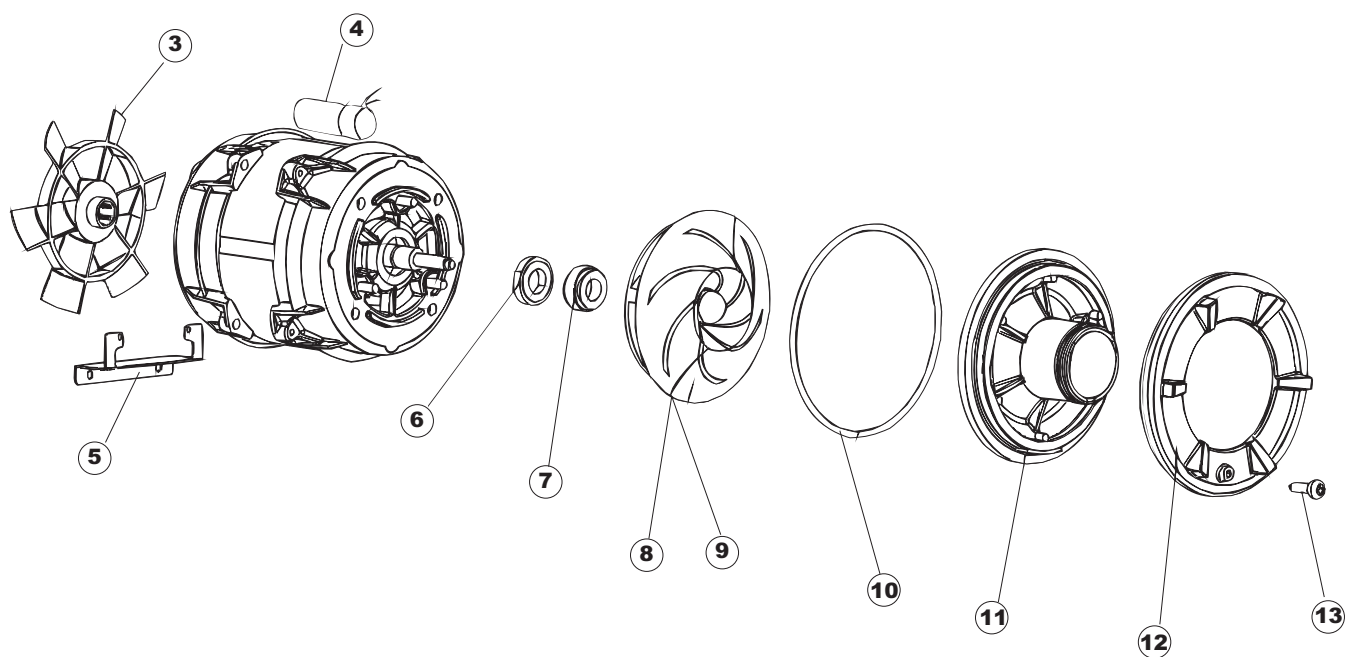
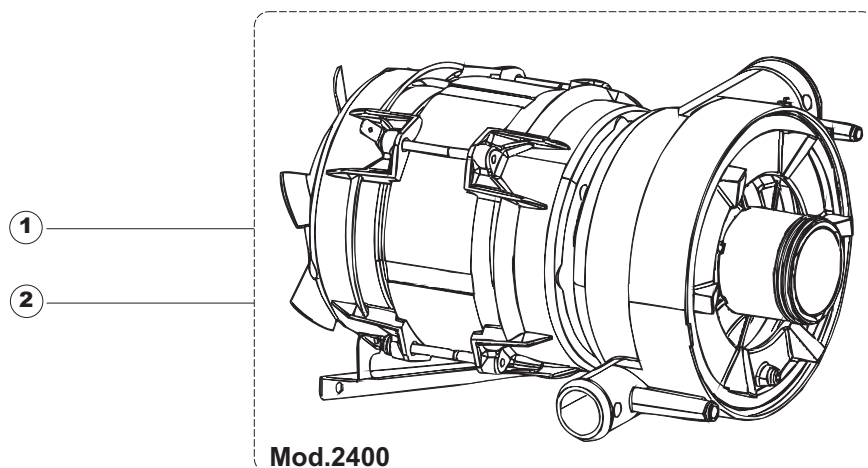


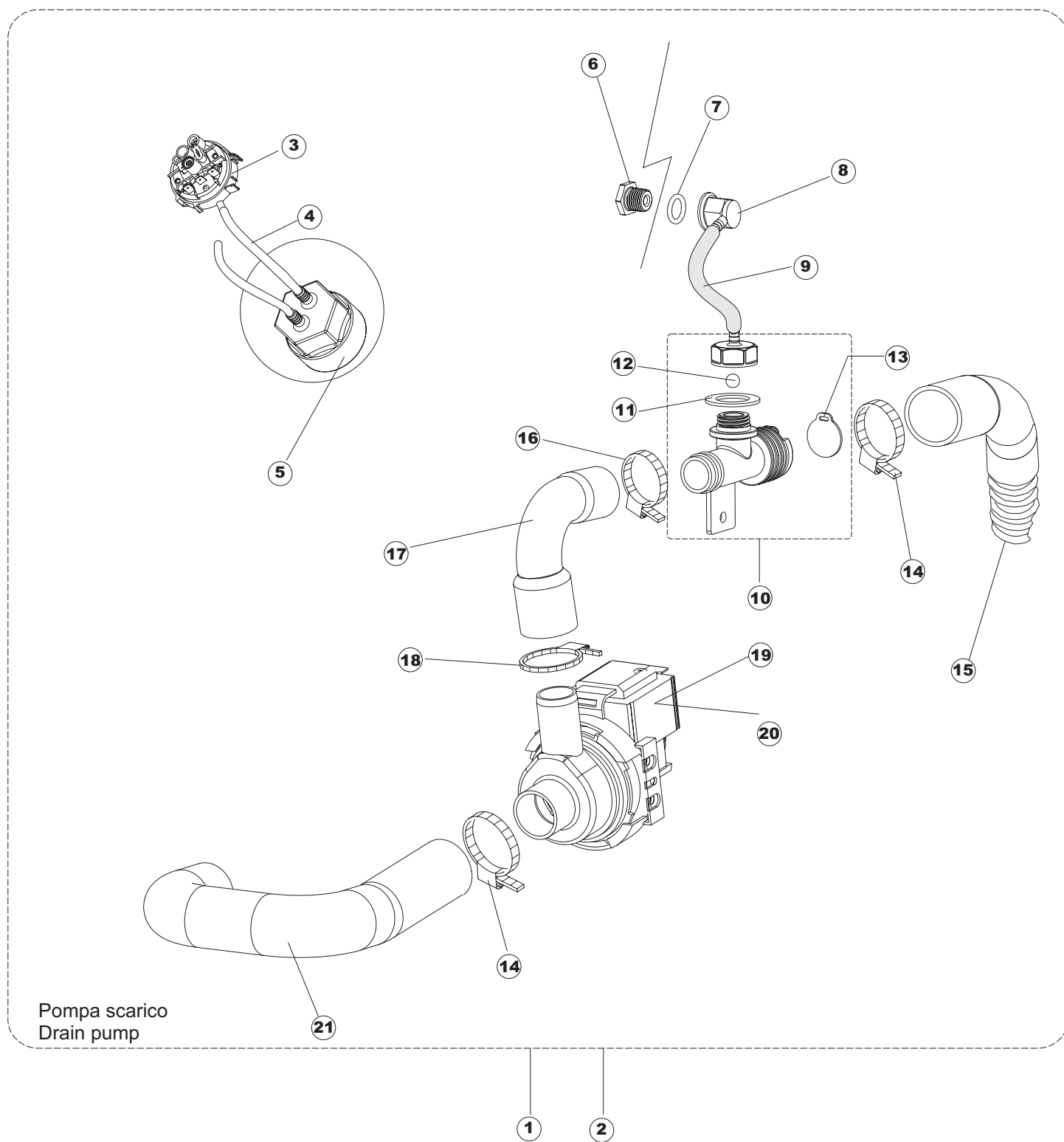












(*) Recommended spare part.

Page	Spare part position	Spare part code no.	Old code number	Description	U.m.
1	1	K69141		HOOD	NR
1	2	927088		MAGNET FOR HOOD MICROSWITCH	NR
1	3	80632		SUPPORT LIFTING HOOD	NR
1	4	80998		SCREW	NR
1	5	80069		HOOD DRIVE	NR
1	6	80638		TOP BACK PANEL	NR
1	7	80162		PRICE TO BE DEFINED (PART NR. REPLACED BY 80167)	
1	7	80167		BACK PANEL	NR
1	8	80275		COIL HOOKING BRACKET - COMPLETE	NR
1	9	80277		SPRING HOOKING SLIDE	NR
1	10	926007		EXTENSION STEEL SPRING FOR DISHWASHER	NR
1	11	80190		BRACKET	NR
1	12	926009		SPRING ADJUSTMENT HOOK	NR
1	13	74923		HOLDER TENSION SPRING	NR
1	14	80105		HOOD / DOOR STOP	NR
1	15	80035		HANDLE	NR
1	16	41042		ADHESIVE PLUG	NR
1	17	69788		RACK FRAME	NR
1	18	80071		LEFT SIDE PANEL (PART NR. REPLACED BY 70871)	
1	18	70871		LEFT SIDE PANEL	NR
1	19	80072		RIGHT SIDE PANEL (PART NR. REPLACED BY 70872)	
1	19	70872		RIGHT SIDE PANEL	NR
1	20	80078		SUPPORT BRACKET	NR
1	21	73100		FOOT	NR
1	22	69100		PRICE TO BE DEFINED (PART NR. REPLACED BY 69200)	
1	22	69200		FRONT PANEL	NR
2	1	69818		PRICE TO BE DEFINED	
2	2	236043		ADJUSTABLE BOILER THERMOSTAT	NR
2	3	69041		PANEL FOR ELECTRICAL COMPONENTS	NR
2	4	73350		CONTACTOR	NR
2	5	H.228048		PRICE TO BE DEFINED	
2	6	228010		FUSE	NR

(*) Recommended spare part.

Page	Spare part position	Spare part code no.	Old code number	Description	U.m.
2	7	H.228047		PRICE TO BE DEFINED (PART NR. REPLACED BY 74935)	
2	7	74935		FUSE-HOLDER	NR
2	8	215029		PRICE TO BE DEFINED (PART NR. REPLACED BY 215038)	
2	8	215038		MAIN BOARD	NR
2	9	DER111		PRICE TO BE DEFINED (PART NR. REPLACED BY 229029)	
2	9	229029		RELAY	NR
2	10	69874		FOOT BOARD SUPPORT	NR
2	11	69063		SUPPORT BRACKET	NR
2	12	214088		PVC CURTAIN FOR ELECTRIC PROTECTION	NR
2	13	220011		TERMINAL BLOCK	NR
2	14	929103		CABLE GLAND	NR
2	15	80997		POWER CABLE	NR
2	16	69790		CONTROL ADHESIVE INTERFACE	NR
2	17	208010		DOUBLE SWITCH	NR
2	18	226102		ELLIPTICAL PUSH-BUTTON	NR
2	19	226126		PUSH BUTTON CASE	NR
2	20	227064		BUTTON	NR
2	21	216025		LAMP	NR
3	1	121123		STAINER	NR
3	2	230118		TANK HEATING ELEMENT	NR
3	3	437086		PACKING OF THE TANK RESISTANCE	NR
3	4	80871		MAGNETIC DOOR SWITCH	NR
3	5	236052		THERMOSTAT 90+/-3C	NR
3	6	926189		CONTACT SAFETY-THERMOSTAT	NR
3	7	236035		CONTACT THERMOSTAT TANK	NR
3	8	41953		PRICE TO BE DEFINED	
3	9	69030		SUPPORT BRACKET	NR
3	10	468151		PRICE TO BE DEFINED (PART NR. REPLACED BY 999348)	
3	10	999348		DETERGENT TANK FITTING	NR
3	11	143194		PIPE	MT
3	12	143219		"SANTOPRENE" PIPE	NR
3	13	209021		DETERGENT AID PUMP (PART NR. REPLACED BY 209029)	

(*) Recommended spare part.

Page	Spare part position	Spare part code no.	Old code number	Description	U.m.
3	13	209029		DETERGENT DISPENSER	NR
3	14	121993		FILTER AID DISPENSER	NR
3	15	224025		PRESSURE SWITCH	NR
3	16	224023		PRESSURE SWITCH	NR
3	17	143131		PIPE	MT
3	18	107013		AIR TRAP FOR PRESSURE SWITCH	NR
3	19	456073		O-RING	NR
3	20	142058		OVERFLOW PIPE	NR
3	21	456081		O-RING	NR
3	22	121120		STAINER	NR
3	23	429072		RING NUT	NR
3	24	456076		O-RING	NR
3	25	136028		ASPIRATION AND DRAIN BODY	NR
3	26	127082		DELIVERY WASH HOSE	NR
3	27	CFS1		HOSE CLAMP	NR
3	28	143252		DRAIN HOSE	NR
4	1	80177		PRICE TO BE DEFINED (PART NR. REPLACED BY 69017)	
4	1	69017		MAINFOLD	NR
4	2	80178		GASKET	NR
4	3	80174		PIPE FITTING	NR
4	4	CFS1A		HOSE CLAMP	NR
4	5	69020		PIPE	NR
4	6	CFS1		HOSE CLAMP	NR
4	7	429073		RING NUT	NR
4	8	437102		GASKET	NR
4	9	115143		MAINFOLD	NR
4	10	127085		DELIVERY WASH HOSE	NR
4	11	423008		PRICE TO BE DEFINED	
4	12	127082		DELIVERY WASH HOSE	NR
4	13	136028		ASPIRATION AND DRAIN BODY	NR
5	1	69020		PIPE	NR
5	2	80174		PIPE FITTING	NR

(*) Recommended spare part.

Page	Spare part position	Spare part code no.	Old code number	Description	U.m.
5	3	927322		HOSE CLAMP	NR
5	4	143010		RUBBER PIPE 12X19,5	MT
5	5	143173		RINSE MANIFOLD (PART NR. REPLACED BY 143268)	
5	5	143268		JUNCTION "Y"	NR
5	6	929169		PRICE TO BE DEFINED (PART NR. REPLACED BY 143270)	
5	6	143270		INLET WRAS PIPE	NR
5	7	927322		HOSE CLAMP	NR
5	8	115143		MAINFOLD	NR
5	9	104060		BOILER	NR
5	10	423010		HOSE CLAMP	NR
5	11	927322		HOSE CLAMP	NR
5	12	926189		CONTACT SAFETY-THERMOSTAT	NR
5	13	456002		O-RING	NR
5	14	230117		BOILER HEATING ELEMENT	NR
5	15	69870		BOILER HEATING ELEMENT PROTECTION	NR
5	16	143005		LINEN RUBBER PIPE 5X12 - BLACK	MT
5	17	423010		HOSE CLAMP	NR
5	18	H.775601		PIPE	MT
5	19	209025		PRICE TO BE DEFINED (PART NR. REPLACED BY 999323)	
5	19	999323		KIT RINSE AID-DISPENSER	NR
5	20	121993		FILTER AID DISPENSER	NR
5	21	144010		NON RETURN VALVE (PART NR. REPLACED BY 144010NT)	
5	21	144010NT		NON-RETURN VALVE	NR
5	22	240016		SOLENOID VALVE	NR
5	23	437041		GASKET	NR
6	1	80184		SEALING RING	NR
6	2	79042		PIVOT	NR
6	4	80348		COMPLETE WASH ARM	NR
6	5	80954		PRICE TO BE DEFINED (PART NR. REPLACED BY 69677)	
6	5	69677		COMPLETE RINSE ARM	NR
6	6	456019		O-RING	NR
6	7	80644		PIVOT	NR

(*) Recommended spare part.

Page	Spare part position	Spare part code no.	Old code number	Description	U.m.
6	8	80679		RING NUT	NR
6	9	69632		BODY ARM	NR
6	11	80373		PRICE TO BE DEFINED (PART NR. REPLACED BY 140025)	
6	11	140025		RINSE JET	NR
6	12	CGR106		PRICE TO BE DEFINED (PART NR. REPLACED BY 456030)	
6	12	456030		O-RING	NR
6	13	926132		PLASTIC RINSE ARM CAP	NR
6	14	79044		WASHING ARM BUSH C600	NR
6	15	308031		RING NUT	NR
6	16	69282		PIVOT	NR
6	17	429073		RING NUT	NR
6	18	437102		GASKET	NR
7	1	69120		ELECTROPUMP	NR
7	2	69120HZ		PART NUMBER NO LONGER AVAILABLE	
7	3	335015		WASHPUMP FUN	NR
7	4	206002		CAPACITOR	NR
7	5	69051		SUPPORT BRACKET	NR
7	6	141008		WASHPUMP SHAFT SEAL	NR
7	7	141009		WASHPUMP SHAFT SEAL	NR
7	8	124057		ELECTROPUMP IMPELLER	NR
7	9	124060		ELECTROPUMP IMPELLER	NR
7	10	456078		O-RING	NR
7	11	480148		PLUG	NR
7	12	429074		RING NUT	NR
7	13	486242		SCREW	NR
8	1	69701		PRICE TO BE DEFINED	
8	2	69701HZ		PRICE TO BE DEFINED	
8	3	224023		PRESSURE SWITCH	NR
8	4	143131		PIPE	MT
8	5	107014		AIR TRAP FOR PRESSURE SWITCH	NR
8	6	429076		PART NUMBER NO LONGER AVAILABLE	
8	7	456020		O-RING	NR

(*) Recommended spare part.

Page	Spare part position	Spare part code no.	Old code number	Description	U.m.
8	8	468029		AIR TRAP CONNECTION OF PRESSURE SWITCH	NR
8	9	143013		PIPE	MT
8	10	144995		DRAIN PUMP VENT VALVE	NR
8	11	437083		GASKET	NR
8	12	476008		SPHERE	NR
8	13	499092		DIAPHRAGM VALVE VENT	NR
8	14	CFS1		HOSE CLAMP	NR
8	15	143252		DRAIN HOSE	NR
8	16	423008		PRICE TO BE DEFINED	
8	17	69071		PART NUMBER NO LONGER AVAILABLE	
8	18	CFS18		HOSE CLAMP	NR
8	19	80117		DRAIN PUMP (PART NR. REPLACED BY 130177)	
8	20	80117HZ		EL. BOOSTER PUMP 240V/60HZ (PART NR. REPLACED BY 130181)	
8	20	130181		PART NUMBER NO LONGER AVAILABLE	
8	21	127087		DRAIN HOSE	NR